



TAMLITE
LIGHTING®

2026

OUTDOOR CATALOG

www.tamliteusa.com

A DIVISION OF **TAMCO**



TAMLITE
LIGHTING

TABLE OF CONTENTS

4	OUTDOOR LIGHTING DESIGN
10	AREA & SECURITY LIGHTING
18	FLOODLIGHTS
26	BRACKETS & BULLHORNS
34	POLES
36	WALL PACKS & WALL MOUNT
54	ARCHITECTURAL OUTDOOR
58	CANOPY LIGHTING
62	ENCLOSED & GASKETED
68	SENSORS
70	PROJECTS DEPARTMENT

OUTDOOR LIGHTING DESIGN



Outdoor Lighting Design

Aesthetic

Bring a home's best features to life and create a dramatic effect by shadowing or illuminating paths and entryways. Select from a variety of styles to find the look that's best for each space.

Functionality

Turn decks or patios into functional outdoor living spaces with the right light. A wide selection of fixtures and color temperatures allows for the creation of unique lighting effects.

Safety

Beyond adding curb appeal, outdoor lighting provides essential illumination for nighttime navigation and helps ensure safe passage around stairs, walkways, and entryways.

Security

A well-designed commercial outdoor lighting system provides another layer of security for customers, visitors, and businesses by illuminating dark areas around the property.

Selecting the Right Lumen Output

A lumen (often denoted lm) is a measure of how much visible light a light source generates. The higher the lumen output, the brighter the light appears. For outdoor fixtures, the right lumen level depends on the space and purpose:

- Lower lumen outputs are ideal for decorative or ambient lighting, such as pathways, gardens, or accent lighting. They provide enough light for visibility and atmosphere without causing glare or light pollution.
- Higher lumen outputs are recommended for areas that require greater light output, such as driveways, building perimeters, parking areas, or security lighting. These brighter fixtures improve safety, visibility, and coverage over larger areas.

Selecting the appropriate lumen output ensures effective lighting while balancing comfort, efficiency, and visual appeal. Brightness can be easily adjusted on wattage selectable (WS) fixtures.



Selecting the Right Color Temperature

Color temperature, measured in kelvin (K), represents the color of light a light source will emit.

- Cooler color temperatures (around 5000K) produce a bright, daylight-like white light that increases contrast and clarity. This makes them ideal for security lighting, parking areas, and workspaces where visibility and detail are most important.
- Warmer color temperatures (around 3000K) deliver a softer, golden glow that feels welcoming and relaxed. These tones work well for patios, pathways, entryways, and landscape features where comfort, ambiance, and curb appeal are the main goals.

Our outdoor fixtures offer selectable color temperatures (CS, 3CS or 5CS), giving you the flexibility to tailor lighting to different applications, seasons, or preferences without changing the fixture.

INTEGRATED COLOR TEMPERATURE & WATTAGE SELECTION SWITCH

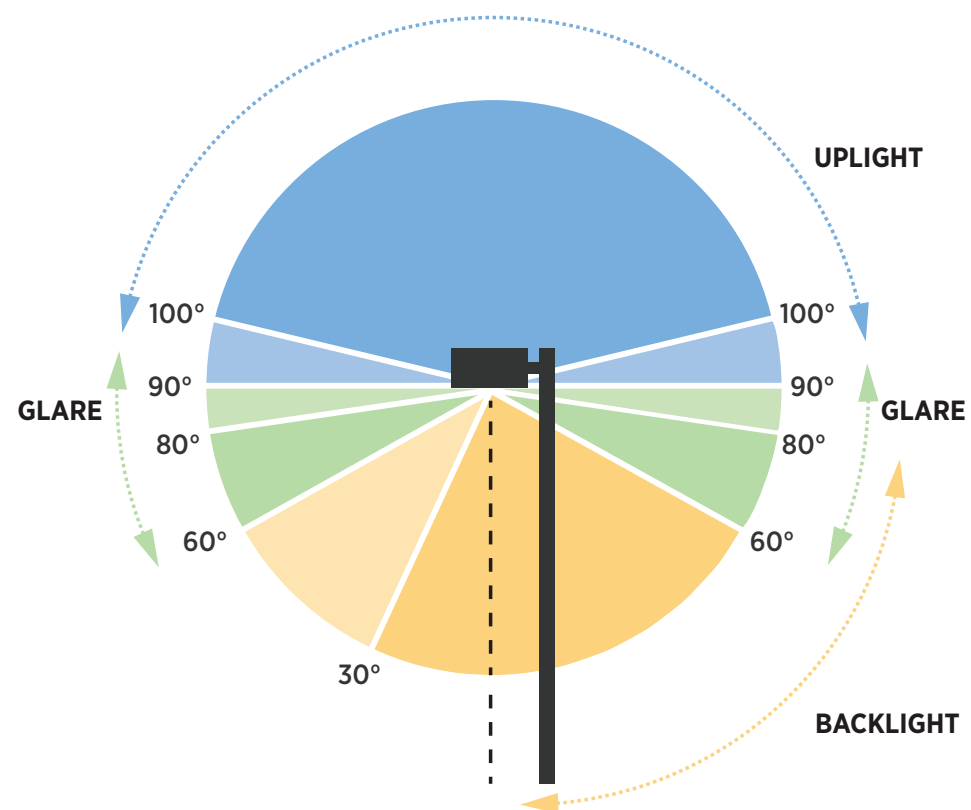
The example featured shows how to switch between color temperatures and wattages seamlessly.





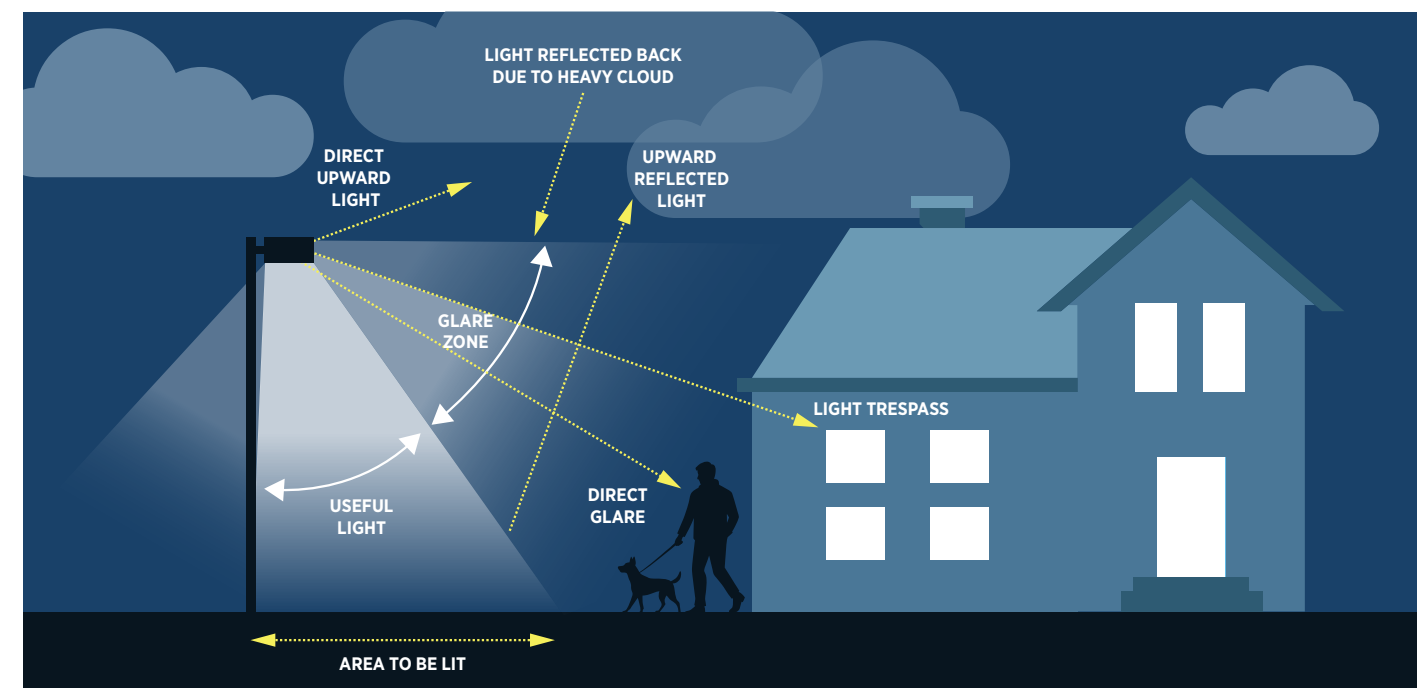
Backlight-Uplight-Glare Rating

Backlight-Uplight-Glare (BUG) Rating is an industry-standard metric developed by the Illuminating Engineering Society (IES) to evaluate the optical performance of outdoor luminaires. It provides a structured assessment of a fixture's light distribution characteristics, specifically backlight, uplight, and glare, helping designers, businesses and facility managers make informed decisions that align with project goals and regulatory requirements.



What is Light Pollution?

Light pollution is excessive or misdirected artificial light that obscures the natural night sky, disrupts ecosystems, and leads to energy waste. Much of this can be addressed through a well-designed outdoor lighting layout that ensures illumination is delivered only where needed. Fixtures equipped with glare shields and adjustable optics and lumen output help improve nighttime visibility while minimizing light spill. Pairing thoughtful design with energy-efficient LED technology further enhances performance — lowering environmental impact, optimizing energy use, and delivering long-term operational savings.



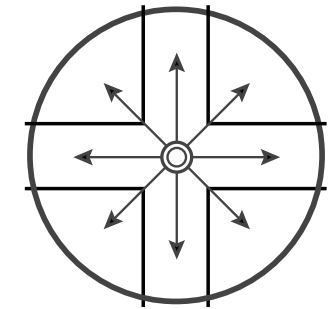
AREA & SECURITY LIGHTING



IES Distribution Types

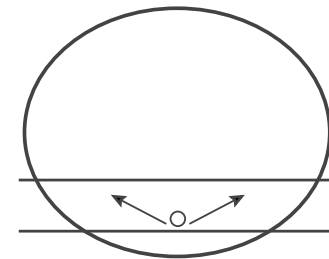
Type V

Ideal for poles mounted in the center of a parking lot, this distribution projects light in a perfect 360° circle.



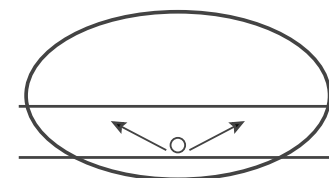
Type IV

These distributions are ideal for most parking lot applications as they throw light in a semicircle around perimeter-mounted poles.



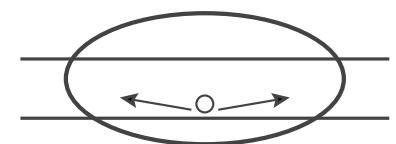
Type III

These distributions are ideal for most parking lot applications as they throw light in a lateral spread around perimeter-mounted poles.



Type II

This long and narrow distribution is ideal for narrow walkways or one-lane parking lots.



AL SERIES

AREA LIGHT

The TamLite Lighting AL Series Area Light offers unparalleled customizability at your fingertips. Featuring quick-swap optics and three different wattage/color select options, this fixture has 81 different configurations.

- 3000K
- 4000K
- 5000K



PRODUCT MATRIX

EXAMPLE: AL-150WS-3CS-U-S0-NM-BZ

SERIES	WATTAGE	COLOR TEMP.	VOLTAGE	OPTICS	MOUNTING	FINISH
AL	-150WS: 150/120/100W -240WS: 240/200/150W -300WS: 300/240/200W -450WS: 450/400/350W	-3CS: Selectable 3000/4000/5000K	-U : 120-277 VAC -E : 277-480 VAC	-S0: Swappable Optics Included T3, T4, T5	-NM: No Mount	-BZ : Bronze

*Fixtures are set to highest wattage, 5000K color temperature, and come with T5 optics pre-installed by default.

FEATURES

- Aluminum housing provides excellent heat dissipation
- Change the lens on-site with quick-swap optics
- CRI: >80
- Z10 sensor and photocell ready

LUMENS

Wattage	Lumens
150W	18,800lm
240W	31,800lm
300W	37,200lm
450W	58,300lm

5000K Setting

APPLICATIONS

- BUILDING SURROUNDINGS
- PARKING LOTS
- FACILITY GROUNDS

ACCESSORIES

Mounts



Trunnion Mount
150-450W

AL-TR-BZ
0688-1364



Round/Square Pole Mount
150-450W

AL-PM-BZ
0688-1367



Slip Fitter Mount
150-300W

AL-SF-BZ
0688-1361



Slip Fitter Mount
450W

AL-SF-450-BZ
0732-6552



Adjustable Round/Square Pole Mount
150-300W

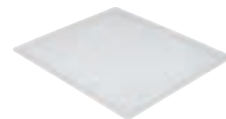
AL-APM-BZ
0688-1370



Adjustable Round/Square Pole Mount
450W

AL-APM-450-BZ
0732-6555

Optics



T2 Optic for 150W

AL-T2-SM
0688-7766

T2 Optic for 240W & 300W

AL-T2-LG
0688-7763

T2 Optic for 450W

AL-T2-XL
0732-6558

GLARE SHIELDS



GLARE SHIELD FORWARD & REARWARD
AL-GLARE-150-BZ • 0732-6570
AL-GLARE-240-300-BZ • 0732-6579
AL-GLARE-450-BZ • 0732-6594



GLARE SHIELD RIGHT
AL-GLARE-R-150-BZ • 0732-6567
AL-GLARE-R-240-300-BZ • 0732-6576
AL-GLARE-R-450-BZ • 0732-6585



GLARE SHIELD LEFT
AL-GLARE-L-150-BZ • 0732-6561
AL-GLARE-L-240-300-BZ • 0732-6573
AL-GLARE-L-450-BZ • 0732-6582

AREA & SECURITY LIGHTING



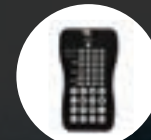
- QUICK-SWAP OPTICS**
- WATTAGE/COLOR SELECTABLE**
- Z10 SENSOR RECEPTACLE**
- 3-PIN RECEPTACLE & SHORTING CAP**
- BUILT-IN SURGE 10KV SUPPRESSOR**

CONTROLS

These controls take the AL to the next level.

TAMLITE LIGHTING

Remote Control
Z10-RC
0673-5288



Microwave
Z10-MCR
0673-5291



RPP

Photocell
PES-MV-TL (120-277 VAC)
0541-1031





3000K

4000K

5000K

DDSLED SERIES

DUSK-TO-DAWN SECURITY LIGHT

The DDSLED series is an excellent choice where an economical, dependable light source with dusk-to-dawn operation is desired.





APPLICATIONS

- OUTDOOR WORK SPACES
- PATHWAYS AND COMMON AREAS
- BUILDING PERIMETERS

PRODUCT MATRIX

EXAMPLE: DDSLED-WS-3CS

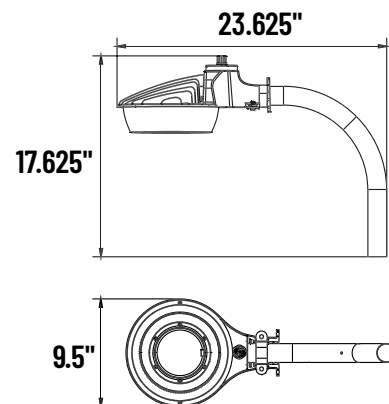
SERIES	WATTAGE	COLOR TEMP.
DDSLED	-WS: Selectable 50/40/30W	-3CS: Selectable 3000/4000/5000K

FEATURES

- Aluminum housing with powder coat finish
- Prismatic polycarbonate lens
- 120-277 VAC input
- CRI: >70
- Mount arm included
- Integrated photocell with cap cover
- 5-year limited warranty

LUMENS

Wattage	Lumens
30W	3,900lm
40W	5,200lm
50W	6,500lm



5000K

SPLWS SERIES

WATTAGE SELECTABLE SPORTS LIGHT

The SPLWS is a wattage-selectable LED sports light that is designed to provide even lighting over outdoor areas and sports courts.





APPLICATIONS

- DRIVING RANGES
- FOOTBALL AND SOCCER FIELDS
- LARGE OUTDOOR VENUES

PRODUCT MATRIX

EXAMPLE: SPLWS5K 30 E YK BK

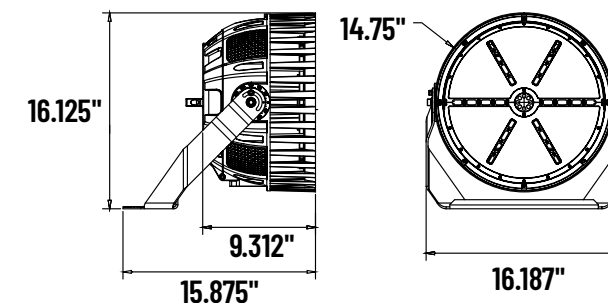
SERIES	WATTAGE	COLOR TEMP.	BEAM ANGLE	VOLTAGE	MOUNTING	FINISH
SPL	WS: Selectable 500/400/300W	5K: 5000K	30: NEMA Type 4*4 30° 80: NEMA Type 6*6 80°	U: 120-277 VAC E: 277-480 VAC	YK: Yoke Mount	BK: Black

FEATURES

- Aluminum housing with powder coat finish
- UV and fire-resistant polycarbonate lens
- 0-10V dimming
- CRI: >70
- EPA: 1.6
- Weight: 35 pounds

LUMENS

Wattage	Lumens
300W	39,000lm
400W	52,000lm
500W	65,000lm



AREA & SECURITY LIGHTING



4000K

CMS2180 SERIES

SECURITY LIGHT

The CMS2180 series of security lights is an energy-efficient way to provide safety and security to homes. The 180° motion sensor with a dusk-to-dawn photocell detects movement up to 70' away.



PRODUCT MATRIX

EXAMPLE: CMS2180BZ

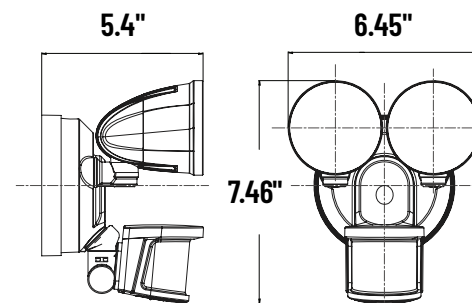
SERIES	NO. OF HEADS	DETECTION	FINISH
CMS	2: 2 Heads	180: 180°	BZ: Bronze WH: White

FEATURES


- Durable polycarbonate housing with aluminum heads
- Wall-mount and ceiling-mount
- Glare-reducing opaque lenses
- 4000K color temperature
- 180° motion sensor with 70' range
- 120 VAC input
- 3-year limited warranty

LUMENS

Wattage	Lumens
32W	2,200lm



APPLICATIONS



- ENTRANCES & EXITS
- DRIVEWAYS
- BUILDING SURROUNDINGS
- BACKYARDS & PATIOS



4000K

CMS2 SERIES

SECURITY LIGHT

The CMS2 series of security lights is an energy-efficient way to provide safety and security to homes.



PRODUCT MATRIX

EXAMPLE: CMS2BZ

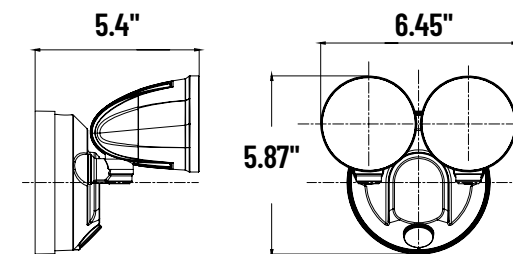
SERIES	NO. OF HEADS	FINISH
CMS	2: 2 Heads	BZ: Bronze WH: White

FEATURES


- Durable polycarbonate housing with aluminum heads
- Wall-mount and ceiling-mount
- Glare-reducing opaque lenses
- 4000K color temperature
- 120 VAC input
- 3-year limited warranty

LUMENS

Wattage	Lumens
32W	2,200lm



APPLICATIONS



- ENTRANCES & EXITS
- DRIVEWAYS
- BUILDING SURROUNDINGS
- BACKYARDS & PATIOS

AREA & SECURITY LIGHTING

FLOODLIGHTS



Beam Angle

Floodlights can be used as general ambient lighting, as accent lighting, or as spotlights. Regardless of the application, beam angle is an important factor to consider when choosing the right floodlight.



Narrow - Up to 30°

Narrow floodlights, sometimes called bullet floods or spotlights, create an extremely narrow light spread that is ideal for illuminating specific objects.



Medium - Up to 60°

This general beam spread is used for most uplighting or general landscape lighting.



Wide - Up to 130°

Wide floods can be used for lighting larger commercial buildings or for security lighting.



Very Wide - Over 130°

Fixtures with beam angles over 130° are commonly used for wide area coverage and provide an alternative to traditional outdoor area lights.

BLST SERIES

BULLET FLOOD

The BLST bullet flood offers a 1/2" knuckle mount system and an adjustable beam angle for your lighting applications. Add this field-adjustable, color-selectable, and wattage-selectable fixture to your landscape range for a clean, discreet look.

3000K 4000K 5000K



PRODUCT MATRIX

EXAMPLE: BLST1-WS-3CS-BZK

SERIES	WATTAGE	COLOR TEMP.	FINISH	MOUNTING
BLST	1-WS: Selectable 15/10/5W 2-WS: Selectable 30/20/10W	-3CS: Selectable 3000/4000/5000K	-BZ: Bronze	K: Knuckle

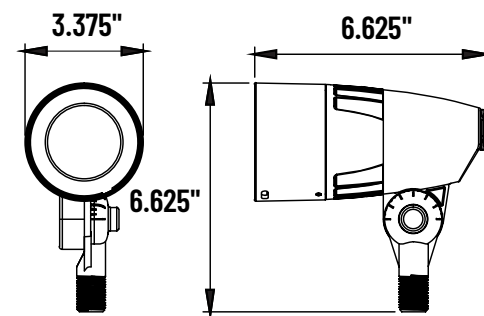
FEATURES

- Aluminum housing with powder coat finish
- All-in-one adjustment switch
- Tempered glass lens
- 25°-65° adjustable beam angle
- 120-277 VAC input
- CRI: >70

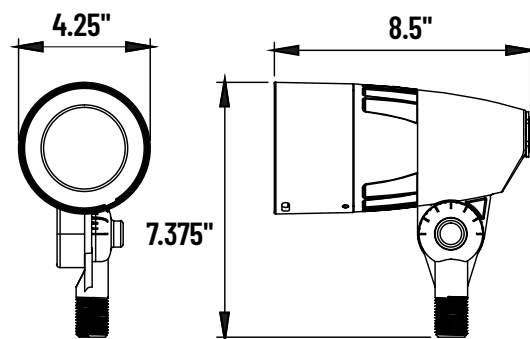
LUMENS

BLST1		BLST2	
Wattage	Lumens	Wattage	Lumens
5W	450lm	10W	950lm
10W	900lm	20W	1,900lm
15W	1,400lm	30W	2,800lm

BLST1 WSCS BZK



BLST2 WSCS BZK



FLOODLIGHTS



25°-65° ADJUSTABLE BEAM ANGLE

ALL-IN-ONE ADJUSTMENT SWITCH

1/2" KNUCKLE MOUNT

APPLICATIONS

- BUILDING SURROUNDINGS
- PARKING LOTS
- LANDSCAPING
- PATHWAYS
- FLAG POLES

FLD SERIES

FLOODLIGHT

The FLD series offers quick, adjustable beam angles, allowing you to switch between 90°, 75°, and 55° with ease. With our wattage/color select technology, the built-in photocell, and BOTH mounting options included in the box, this fixture is redefining multi-purpose floodlighting!

3000K 4000K 5000K



PRODUCT MATRIX

EXAMPLE: FLD-20WS-3CS-BZ

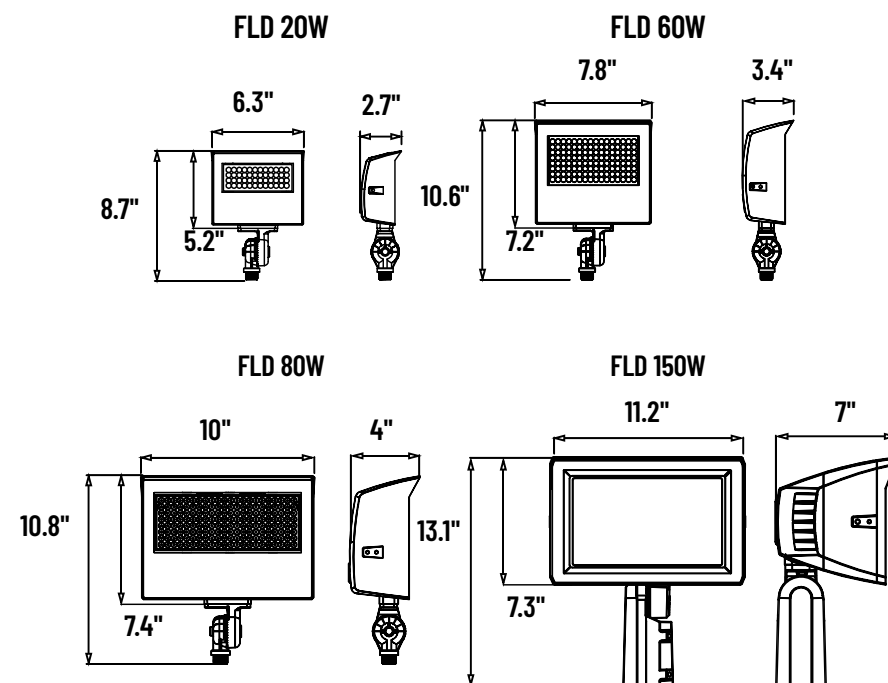
SERIES	WATTAGE	COLOR TEMP.	FINISH
FLD	-20WS: Selectable 20/15/10/5W -60WS: Selectable 60/55/50/45W -80WS: Selectable 80/70/60/50W -150WS: Selectable 150/125/100/80W	-3CS: Selectable 3000/4000/5000K	-BZ: Bronze

FEATURES

- Aluminum housing with powder coat finish
- Tempered glass lens
- CRI: >80
- 55°, 75°, 90° adjustable beam angle
- Integrated photocell with ON/OFF switch
- Slip fitter & Trunnion on 150WS model
- 1/2" knuckle & yoke
- 120-347 VAC input
- 5-year limited warranty

LUMENS

Wattage	Lumens
20/15/10/5W	2,800lm
60/55/50/45W	8,700lm
80/70/60/50W	12,400lm
150/125/100/80W	22,500lm



FLOODLIGHTS



ADJUSTABLE BEAM ANGLE

OPTIONAL YOKE OR TRUNNION MOUNT INCLUDED

**1/2" KNUCKLE MOUNT FOR 20-80WS MODELS
2 3/8" SLIP FITTER ON 150WS MODEL**

WATTAGE/COLOR SELECTABLE

BUILT-IN PHOTOCELL WITH ON/OFF SWITCH

APPLICATIONS

- BUILDING SURROUNDINGS
- LANDSCAPING
- PATHWAYS

TCOFLRGBW SERIES

RGBW FLOODLIGHT

Illuminate your space with our TCOFLRGBW series 72W Outdoor Flood Light, designed for powerful, dependable performance. Bluetooth connectivity through the Tuya Smart app allows for control of colors, brightness, and light modes directly from your smartphone. The fixture delivers 16 vibrant RGB colors and dedicated 5000K white illumination. Built for long-term outdoor use, it is well suited for residential properties as well as commercial buildings, landscapes, and signage.



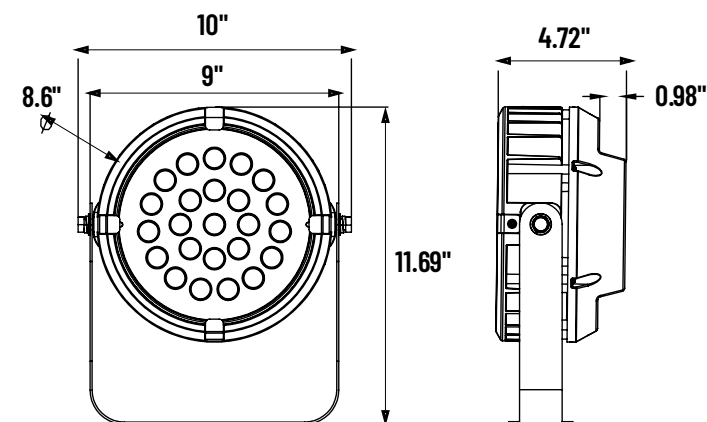
PRODUCT MATRIX

EXAMPLE: TCOFLRGBW5K72BK-60

SERIES	COLOR TEMP.	WATTAGE	FINISH	BEAM ANGLE
TCOFL	RGBW5K: Red, Green, Blue, 5000K	72: 72W	BK: Black	-60 : 60°

FEATURES

- Aluminum housing with black powder coat finish
- Bluetooth mesh wireless control
- Tempered glass lens with 60° beam angle
- RGBW color selectable
- 120-277 VAC input
- 5-year limited warranty



LUMENS

Wattage	Lumens
72W	2,500lm



FLOODLIGHTS



INDIVIDUAL LED DIODES FOR VIBRANT RGBW COLOR



FADE-RESISTANT TEMPERED GLASS LENS WITH 60° BEAM ANGLE

APPLICATIONS

- OUTDOOR VENUES
- BUILDING SURROUNDINGS
- ENTERTAINMENT SPACES
- SIGNAGE
- RETAIL EXTERIORS



YOKE MOUNT BRACKET & STAINLESS STEEL HARDWARE INCLUDED

BRACKETS & BULLHORNS



From Our Shop to Your Jobsite

TAMCO specializes in manufacturing our own brackets and bullhorns right here in South Florida. We make everything from wall-mount brackets and tenon adapters, to spoke brackets and bullhorns.





TC0BR2BZ • 0539-6481

2 LIGHT BULLHORN 2-3/8" TENON INLINE

- Material type: Round tube steel
- Finish: Powder coated bronze
- Hardware: 3/8"-16x1" Stainless steel x4



Tenon Size	# of Tenons	Mount Type	EPA Rating
2 3/8"	2 inline	2 3/8" pole	1.1
Length in.	Width in.	Height in.	Weight lbs.
36"	2 3/8"	18"	20



TC0BR3120BZ • 0541-0785

3 LIGHT BULLHORN 2-3/8" TENON AT 120°

- Material type: Round tube steel
- Finish: Powder coated bronze
- Hardware: 3/8"-16x1" Stainless steel x4



Tenon Size	# of Tenons	Mount Type	EPA Rating
2 3/8"	3 at 120°	2 3/8" pole	1.9
Length in.	Width in.	Height in.	Weight lbs.
41 9/16"	41 9/16"	18"	33



TC0BR4BZ • 0614-7546

4 LIGHT BULLHORN 2-3/8" TENON INLINE

- Material type: Round tube steel
- Finish: Powder coated bronze
- Hardware: 3/8"-16x1" Stainless steel x4



Tenon Size	# of Tenons	Mount Type	EPA Rating
2 3/8"	4 inline	2 3/8" pole	2.5
Length in.	Width in.	Height in.	Weight lbs.
90"	2 3/8"	18"	44



TC0BS2BZ • 0540-3141

2 LIGHT SQ BULLHORN 2-3/8" TENON INLINE

- Material type: Square tube steel
- Finish: Powder coated bronze
- Hardware: 3/8"-16x1" Stainless steel x4



Tenon Size	# of Tenons	Mount Type	EPA Rating
2 3/8"	2 inline	2 3/8" pole	1.7
Length in.	Width in.	Height in.	Weight lbs.
36"	3"	10"	20



TC0BR3BZ • 0541-0782

3 LIGHT BULLHORN 2-3/8" TENON INLINE

- Material type: Round tube steel
- Finish: Powder coated bronze
- Hardware: 3/8"-16x1" Stainless steel x4



Tenon Size	# of Tenons	Mount Type	EPA Rating
2 3/8"	3 inline	2 3/8" pole	1.8
Length in.	Width in.	Height in.	Weight lbs.
48"	2 3/8"	18"	31



TC0BR490BZ • 0541-0797

4 LIGHT BULLHORN 2-3/8" TENON AT 90°

- Material type: Round tube steel
- Finish: Powder coated bronze
- Hardware: 3/8"-16x1" Stainless steel x4



Tenon Size	# of Tenons	Mount Type	EPA Rating
2 3/8"	4 at 90°	2 3/8" pole	2.5
Length in.	Width in.	Height in.	Weight lbs.
50"	50"	18"	43



TC0PR190BZ • 0541-0815

1 LIGHT STEEL ROUND POLE BRACKET

- Material type: Round tube steel
- Finish: Powder coated bronze
- Hardware: N/A



Tenon Size	# of Tenons	Mount Type	EPA Rating
2 3/8"	1	2 3/8" pole	0.1
Length in.	Width in.	Height in.	Weight lbs.
13"	3 3/4"	17"	9



TC0SB1BZ • 0613-5828

1 SPOKE TENON BRACKET

- Material type: Round tube steel
- Finish: Powder coated bronze
- Hardware: 3/8"-16x1" Stainless steel x3



Tenon Size	# of Tenons	Mount Type	EPA Rating
2 3/8"	1 at 90°	2 3/8" pole	0.3
Length in.	Width in.	Height in.	Weight lbs.
8"	2 3/8"	8"	5.7



- TCOSB2180BZ • 0613-5858**
 2 SPOKE TENON BRACKET AT 180
- Material type: Round tube steel
 - Finish: Powder coated bronze
 - Hardware: 3/8"-16x1" Stainless steel x3



Tenon Size	# of Tenons	Mount Type	EPA Rating
2 3/8"	2 inline	2 3/8" pole	0.4
Length in.	Width in.	Height in.	Weight lbs.
16"	2 3/8"	8"	7.5



- TCOSB290BZ • 0613-5849**
 2 SPOKE TENON BRACKET AT 90
- Material type: Round tube steel
 - Finish: Powder coated bronze
 - Hardware: 3/8"-16x1" Stainless steel x3



Tenon Size	# of Tenons	Mount Type	EPA Rating
2 3/8"	2 at 90°	2 3/8" pole	0.3
Length in.	Width in.	Height in.	Weight lbs.
8"	8"	8"	7.5



- TCOSB490BZ • 0613-5840**
 4 SPOKE TENON BRACKET AT 90
- Material type: Round tube steel
 - Finish: Powder coated bronze
 - Hardware: 3/8"-16x1" Stainless steel x3



Tenon Size	# of Tenons	Mount Type	EPA Rating
2 3/8"	4 at 90°	2 3/8" pole	0.6
Length in.	Width in.	Height in.	Weight lbs.
16"	16"	8"	11



- TCOTR351BZ • 0630-1155**
 3-1/2" RND POLE TO 2-3/8" TENON EXT ADPTR
- Material type: Round tube steel
 - Finish: Powder coated bronze
 - Hardware: 3/8"-16x1" Stainless steel x4



Tenon Size	# of Tenons	Mount Type	EPA Rating
2 3/8"	1	3 1/2" pole ext	N/A
Length in.	Width in.	Height in.	Weight lbs.
4 1/2"	4 1/2"	10 1/4"	10



- TCOSB3120BZ • 0613-5915**
 3 SPOKE TENON BRACKET AT 120
- Material type: Round tube steel
 - Finish: Powder coated bronze
 - Hardware: 3/8"-16x1" Stainless steel x3



Tenon Size	# of Tenons	Mount Type	EPA Rating
2 3/8"	3 at 120°	2 3/8" pole	0.6
Length in.	Width in.	Height in.	Weight lbs.
12"	12"	8"	9.3



- TCOSB390BZ • 0613-5906**
 3 SPOKE TENON BRACKET AT 90
- Material type: Round tube steel
 - Finish: Powder coated bronze
 - Hardware: 3/8"-16x1" Stainless steel x3



Tenon Size	# of Tenons	Mount Type	EPA Rating
2 3/8"	3 at 90°	2 3/8" pole	0.5
Length in.	Width in.	Height in.	Weight lbs.
16"	8"	8"	9.3



- TCOTR31BZ • 0541-0776**
 3" RND POLE TO 2-3/8" TENON EXT ADPTR
- Material type: Round tube steel
 - Finish: Powder coated bronze
 - Hardware: 3/8"-16x1" Stainless steel x4



Tenon Size	# of Tenons	Mount Type	EPA Rating
2 3/8"	1	3" pole ext rnd	N/A
Length in.	Width in.	Height in.	Weight lbs.
4"	4"	10 1/4"	9



- TCOTR41BZ • 0545-6331**
 4" RND POLE TO 2-3/8" TENON EXT ADPTR
- Material type: Round tube steel
 - Finish: Powder coated bronze
 - Hardware: 3/8"-16x1" Stainless steel x4



Tenon Size	# of Tenons	Mount Type	EPA Rating
2 3/8"	1	4" pole ext rnd	N/A
Length in.	Width in.	Height in.	Weight lbs.
4 3/4"	4 3/4"	10 1/4"	11



TCOTS4IBZ • 0545-6334
 4" SQ POLE TO 2-3/8" TENON INT ADPTR
 • Material type: Square tube steel
 • Finish: Powder coated bronze
 • Hardware: N/A



Tenon Size	# of Tenons	Mount Type	EPA Rating
2 3/8"	1	4" pole int sq	N/A
Length in.	Width in.	Height in.	Weight lbs.
4"	4"	14 3/4"	7



TCOTS5IBZ • 0541-0812
 5" SQ POLE TO 2-3/8" TENON INT ADPTR
 • Material type: Square tube steel
 • Finish: Powder coated bronze
 • Hardware: N/A



Tenon Size	# of Tenons	Mount Type	EPA Rating
2 3/8"	1	5" pole int sq	N/A
Length in.	Width in.	Height in.	Weight lbs.
5"	5"	14 3/4"	9



TCOWR190BZ • 0539-6523
 1 LIGHT WALL BRACKET 2-3/8" TENON
 • Material type: Steel
 • Finish: Powder coated bronze
 • Hardware: N/A



Tenon Size	# of Tenons	Mount Type	EPA Rating
2 3/8"	1	Wall mount	0.1
Length in.	Width in.	Height in.	Weight lbs.
13"	7"	13"	9



TCOWR1BZ • 0541-0800
 1 LIGHT SIDE WALL BRACKET 2-3/8" TENON
 • Material type: Steel
 • Finish: Powder coated bronze
 • Hardware: N/A



Tenon Size	# of Tenons	Mount Type	EPA Rating
2 3/8"	1	Wall mount	0.1
Length in.	Width in.	Height in.	Weight lbs.
10 1/4"	3 3/4"	7"	5



TCOWPR1BZ • 0541-0788
 1 LIGHT WOOD POLE BRACKET 2-3/8" TENON
 • Material type: Steel
 • Finish: Powder coated bronze
 • Hardware: N/A



Tenon Size	# of Tenons	Mount Type	EPA Rating
2 3/8"	1	Wood pole	0.5
Length in.	Width in.	Height in.	Weight lbs.
23 5/8"	6"	19 3/8"	15



TCOWPR2BZ • 0541-0794
 2 LIGHT WOOD POLE BRACKET 2-3/8" TENON
 • Material type: Steel
 • Finish: Powder coated bronze
 • Hardware: N/A



Tenon Size	# of Tenons	Mount Type	EPA Rating
2 3/8"	2 inline	Wood pole	1.1
Length in.	Width in.	Height in.	Weight lbs.
32"	16 1/4"	16"	27



TCOWR290BZ • 0541-0803
 2 LIGHT WALL BRACKET 2-3/8" TENON
 • Material type: Steel
 • Finish: Powder coated bronze
 • Hardware: N/A



Tenon Size	# of Tenons	Mount Type	EPA Rating
2 3/8"	2 inline	Wall mount	1.1
Length in.	Width in.	Height in.	Weight lbs.
32 3/8"	8 5/8"	13"	28



TCOWS1BZ • 0541-0770
 1 LIGHT ANGLE WALL BRACKET TRUNNION
 • Material type: Steel
 • Finish: Powder coated bronze
 • Hardware: N/A



Tenon Size	# of Tenons	Mount Type	EPA Rating
N/A	N/A	Wall mount	0.1
Length in.	Width in.	Height in.	Weight lbs.
14"	3"	20 1/2"	9

Complete Light Pole Solutions For Outdoor Lighting

We provide high-quality light poles designed to support safe, efficient, and visually appealing outdoor lighting systems. Whether for commercial, industrial, municipal, or residential applications, our poles are engineered for durability, performance, and long-term reliability. What sets us apart is our end-to-end project management. Our experienced team manages the entire process from planning and selection to coordination and delivery.

What We Offer

- Wide range of light poles in various heights, materials, and finishes
- Solutions for multiple applications, including parking lots, walkways, sports areas, and site lighting
- Poles designed for strength and longevity, built to withstand weather, wind loads, and environmental exposure

Our Managed Process

From the moment you engage with us, our team takes ownership of the project. We help you choose the right pole specifications, ensure compliance with project requirements, and coordinate logistics to keep everything on schedule. The result is a streamlined experience and a lighting solution that performs exactly as intended.

Why It Matters

The right light pole does more than hold a fixture — it affects light distribution, safety, and the overall look of a space. By combining quality products with expert project management, we help create outdoor lighting systems that are functional, reliable, and built to last.



STEEL

ALUMINUM

FIBERGLASS

Versatile Design Options

Choose from round tapered or square 4X4 profiles and multiple mounting heights, for flexibility to complement any application. Each pole is available with a tenon or pre-drilled for multiple mounting options, and all drilled poles include a flat cap.

Contact Our Projects Department Today!
QUOTES@TAMCOGROUP.COM



WALL PACKS & WALL MOUNT



Full Cutoff Wall Packs vs. Regular Wall Packs

In commercial and architectural applications, the choice between a regular wall pack and a full cutoff wall pack comes down to lighting control, compliance, and project goals.

Regular wall packs provide broad, multi-directional illumination where wide-area coverage is needed without strict light spill concerns. They're useful in non-public-facing areas, where aesthetic and light control are less critical, as they can produce excessive glare and contribute to light pollution.

Full cutoff wall packs, by contrast, deliver precise, downward-focused lighting that enhances visibility and supports code compliance, making them ideal for projects that prioritize function and aesthetics. For property managers, developers, and architects, full cutoff options offer a future-forward solution with better long-term value and community impact.

FCO SERIES

FULL CUTOFF WALL PACK

The FCO series full cutoff wall pack reduces glare and delivers optimal light distribution. Featuring wattage and color selectable technology, it allows easy on-site customization to meet a wide range of lighting requirements. Selectable optic distribution including T2, T3, and T4 provide precise light placement for building perimeters, hospitality spaces, retail exteriors, and transportation areas. Designed for durability and performance, this versatile fixture simplifies specification while maximizing energy savings.

3000K 4000K 5000K



PRODUCT MATRIX

EXAMPLE: FCO-40WS-S0-3CS-BZ

SERIES*	WATTAGE	OPTICS	COLOR TEMP.	FINISH	EMERGENCY
FCO	-40WS: Selectable 40/30/25W -60WS: Selectable 60/50/40W -100WS: Selectable 100/80/60W	-S0: Selectable Optics Included T2, T3, T4	-3CS: Selectable 3000/4000/5000K	-BZ: Bronze	BLANK: No Option -EM: Emergency Backup

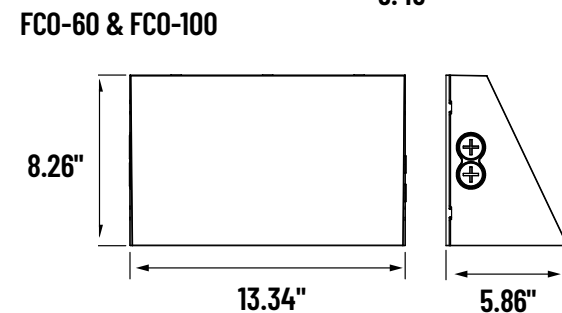
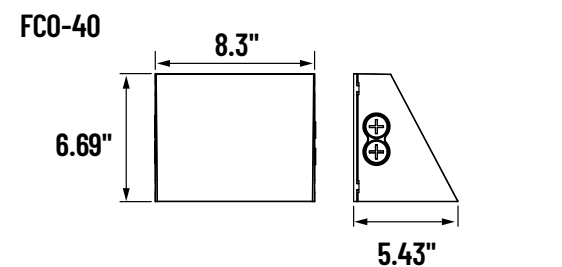
*Fixtures are set to highest wattage, 5000K color temperature.

FEATURES

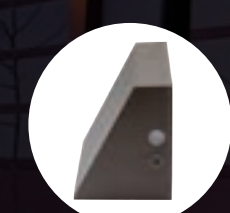
- Aluminum housing with powder coat finish
- Selectable Optics: switch between T2, T3, T4 light distribution
- CRI: >80
- 120-277 VAC input
- 0-10V dimming
- Integrated photocell with ON/OFF switch
- 90 minute emergency backup on EM models

LUMENS

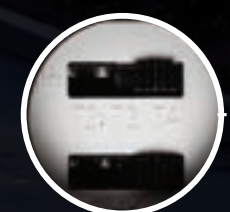
FCO-40		FCO-60		FCO-100	
Wattage	Lumens	Wattage	Lumens	Wattage	Lumens
25W	3,500lm	40W	5,600lm	60W	8,400lm
30W	4,200lm	50W	7,000lm	80W	11,200lm
40W	5,600lm	60W	8,400lm	100W	14,000lm



WALL PACKS & WALL MOUNT



ATTRACTIVE ARCHITECTURAL DESIGN



SELECTABLE OPTICS: SWITCH BETWEEN T2, T3, T4 LIGHT DISTRIBUTION



INTEGRATED PHOTOCELL WITH ON/OFF SWITCH



WATTAGE/COLOR SELECTABLE

APPLICATIONS

- BUILDING PERIMETERS
- HOSPITALITY SPACES
- RETAIL EXTERIORS
- TRANSPORTATION AREAS

W1LED SERIES

COLOR SELECTABLE WALL PACK

Experience enhanced outdoor lighting with the W1LED series wall pack, perfect for commercial properties and security enhancements. Featuring wattage and color selectable technology along with an integrated photocell, it allows easy on-site customization to meet a wide range of lighting requirements.

3000K 4000K 5000K



PRODUCT MATRIX

EXAMPLE: W1LED-WS-3CS

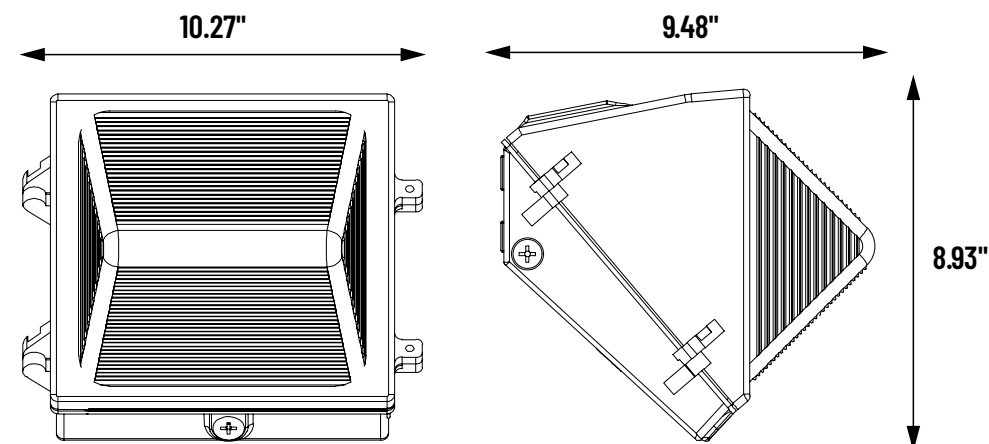
SERIES	WATTAGE	COLOR TEMP.	FINISH
W1LED	-WS: Selectable 30/20/10W	-3CS: Selectable 3000/4000/5000K	BLANK: Bronze

FEATURES

- Aluminum housing with powder coat finish
- All-in-one adjustment switch
- Prismatic-borosilicate glass lens
- 120-277 VAC input
- 0-10V dimming
- CRI: >70

LUMENS

Wattage	Lumens
10W	1,800lm
20W	3,200lm
30W	4,200lm



WALL PACKS & WALL MOUNT



PRISMATIC SURFACE
BOROSILICATE GLASS LENS

1/2" COIN PLUGS
WITH O-RINGS

- APPLICATIONS**
- BUILDING PERIMETERS
 - OUTDOOR UTILITY SPACES
 - TRANSPORTATION AREAS

ALL-IN-ONE
ADJUSTMENT SWITCH

W2LED SERIES

COLOR SELECTABLE WALL PACK

Experience enhanced outdoor lighting with the W2LED series wall pack, perfect for commercial properties and security enhancements. The housing size makes the W2LED a direct upgrade for most common HID wall packs. Featuring wattage and color selectable technology along with an integrated photocell, it allows easy on-site customization to meet a wide range of lighting requirements.



PRODUCT MATRIX

EXAMPLE: W2LED-WS-3CS

SERIES	WATTAGE	COLOR TEMP.	FINISH	EMERGENCY
W2LED	-WS : Selectable 80/60/50W	-3CS: Selectable 3000/4000/5000K	BLANK: Bronze -WH: White	BLANK: No Option -EM: Emergency Backup

FEATURES

- Aluminum housing with powder coat finish
- All-in-one adjustment switch
- Prismatic-borosilicate glass lens
- 120-277 VAC input
- 0-10V dimming
- CRI: >70
- 90-minute emergency backup on EM models

LUMENS

Wattage	Lumens
50W	6,900lm
60W	8,300lm
80W	11,050lm

ACCESSORIES

VISORS



Bronze Visor

W2 VISOR

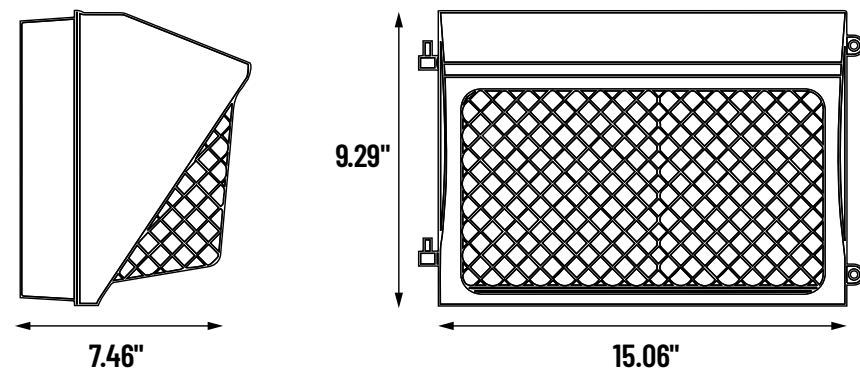
0544-4430



White Visor

W2 VISOR WH

0547-9260



WALL PACKS & WALL MOUNT



PRISMATIC SURFACE
BOROSILICATE GLASS LENS



1/2" COIN PLUGS
WITH O-RINGS



ALL-IN-ONE
ADJUSTMENT SWITCH

APPLICATIONS

- BUILDING PERIMETERS
- OUTDOOR UTILITY SPACES
- TRANSPORTATION AREAS

W3LED SERIES

COLOR SELECTABLE WALL PACK

Experience enhanced outdoor lighting with the W3LED series wall pack, perfect for commercial properties and large open areas. Featuring wattage and color selectable technology along with an integrated photocell, it allows easy on-site customization to meet a wide range of lighting requirements.

3000K 4000K 5000K



PRODUCT MATRIX

EXAMPLE: W3LED-WS-3CS

SERIES	WATTAGE	COLOR TEMP.
W3LED	-WS : Selectable 120/100/80W	-3CS: Selectable 3000/4000/5000K

FEATURES

- Aluminum housing with powder coat finish
- All-in-one adjustment switch
- Prismatic-borosilicate glass lens
- 120-277 VAC input
- 0-10V dimming
- CRI: >70

LUMENS

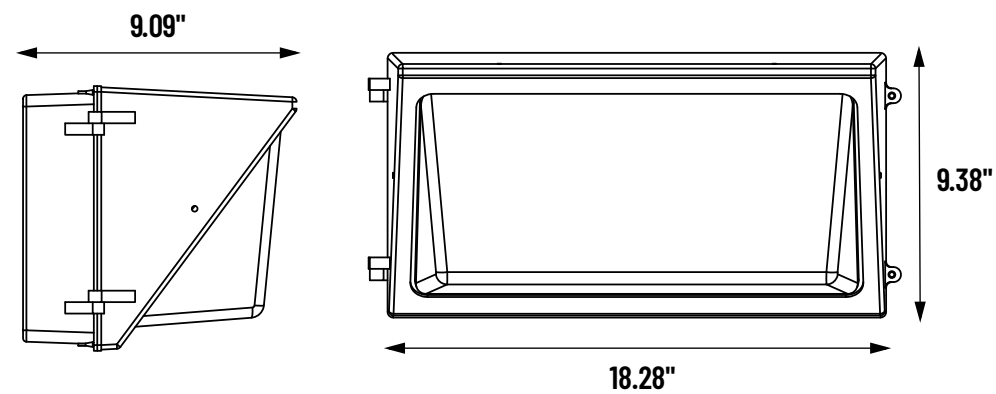
Wattage	Lumens
80W	12,100lm
100W	14,550lm
120W	16,400lm

ACCESSORIES

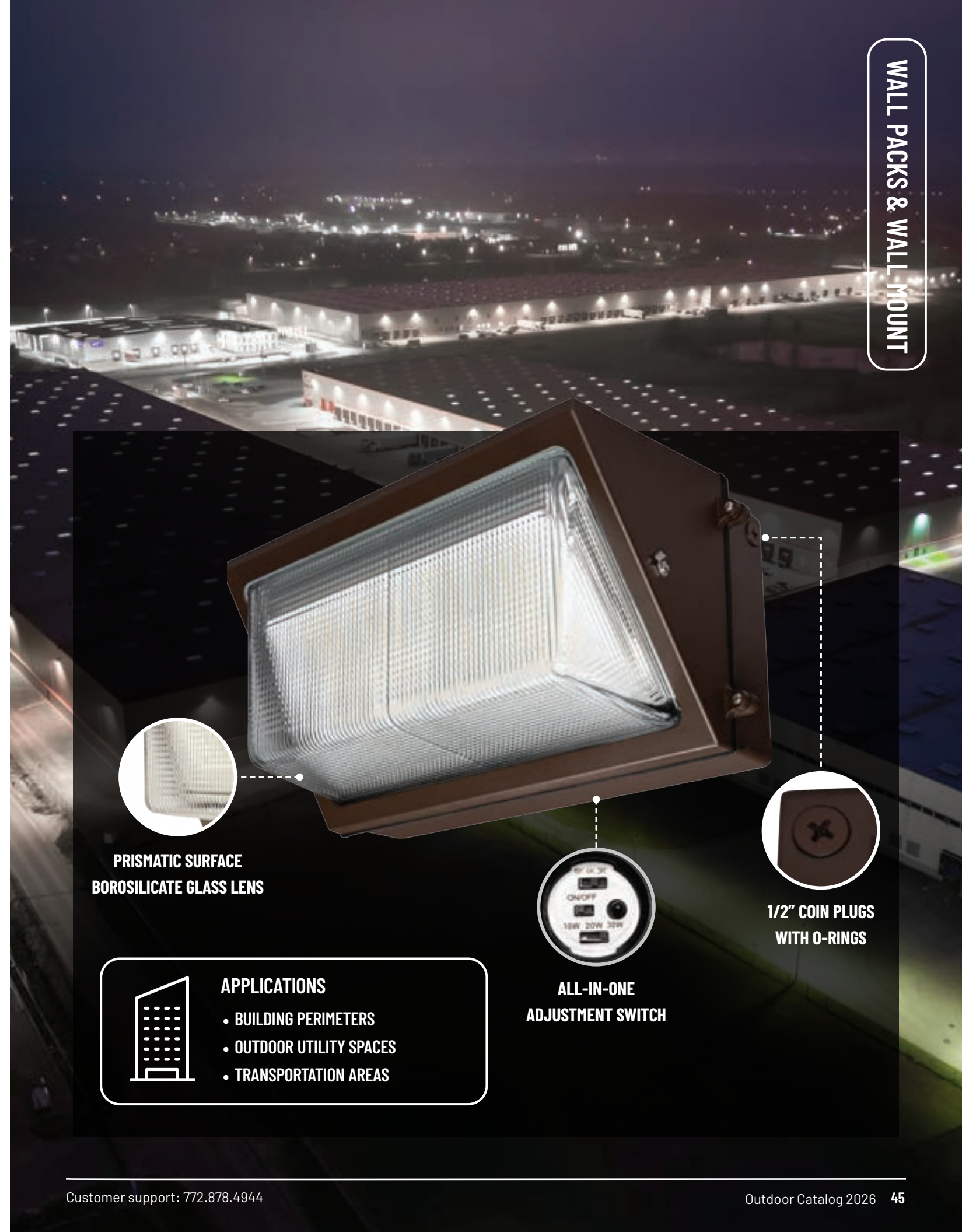
VISORS



Bronze Visor
W3 VISOR
0576-3177



WALL PACKS & WALL MOUNT



PRISMATIC SURFACE BOROSILICATE GLASS LENS

ALL-IN-ONE ADJUSTMENT SWITCH

1/2" COIN PLUGS WITH O-RINGS

APPLICATIONS

- BUILDING PERIMETERS
- OUTDOOR UTILITY SPACES
- TRANSPORTATION AREAS



3000K 4000K 5000K

SHN SERIES

WALL CYLINDER

The SHN Wall Cylinder is a stylish, architectural wall-mount luminaire. It is ideal for accent lighting on building facades, along walkways, or near building entrances.



APPLICATIONS

- OUTDOOR VENUES
- RESIDENTIAL ENTRANCES
- HOSPITALITY SPACES
- RETAIL EXTERIORS

PRODUCT MATRIX

EXAMPLE: SHN2 WSCS BZ 60/60

SERIES	CONFIGURATION	WATTAGE	COLOR TEMP.	FINISH	PRIMARY REFLECTOR	SECONDARY REFLECTOR*
SHN	1: Single Ended 2: Double Ended	WS: Selectable 30/20/10W	CS: Selectable 3000/4000/5000K	BZ: Bronze	15: 15 Degree 32: 32 Degree 60: 60 Degree	/15: 15 Degree /32: 32 Degree /60: 60 Degree

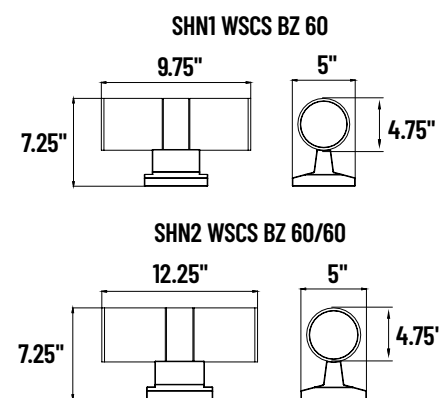
*Applicable to double ended models only.

FEATURES

- Aluminum housing with powder coat finish
- Tempered glass lens
- Integrated photocell with ON/OFF switch
- Interchangeable reflectors
- 5-year limited warranty

LUMENS

SHN1		SHN2	
Wattage	Lumens	Wattage	Lumens
30W	2,880lm	30W*	1,642lm*



RGBW

SHN RGBW SERIES

WALL CYLINDER

The SHN Wall Cylinder is a stylish, architectural wall-mount luminaire. It is ideal for accent lighting on building facades, along walkways, or near building entrances.



APPLICATIONS

- OUTDOOR VENUES
- RESIDENTIAL ENTRANCES
- HOSPITALITY SPACES
- RETAIL EXTERIORS

PRODUCT MATRIX

EXAMPLE: SHN2 RGBW BZ 60/60

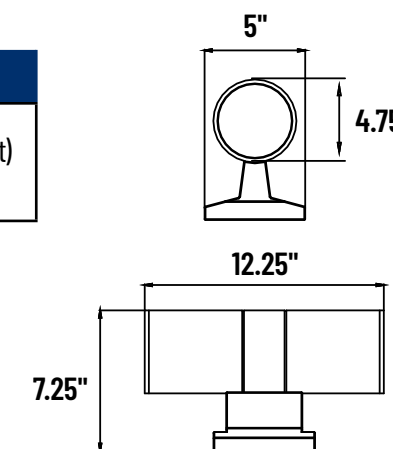
SERIES	CONFIGURATION	WATTAGE	FINISH	REFLECTOR
SHN	2: Double Ended	RGBW: 20W RGB Color Selectable	BZ: Bronze	60/60: 60 Degree

FEATURES

- Aluminum housing with powder coat finish
- Tempered glass lens
- Bluetooth mesh wireless control
- RGBW color selectable
- 5-year limited warranty

LUMENS

Wattage	Lumens
20W	950lm (Max 5000K White Light) 440lm (Max Mixed Light)



WALL PACKS & WALL MOUNT

MWP SERIES

MINI WALL PACK

The MWP mini wall pack is a flexible lighting solution equipped with a 3-in-1 field-adjustable switch. It allows easy selection of wattage and color temperature to meet various needs. An integrated photocell enables automatic on/off control in the field.



PRODUCT MATRIX

EXAMPLE: MWP-WS-3CS

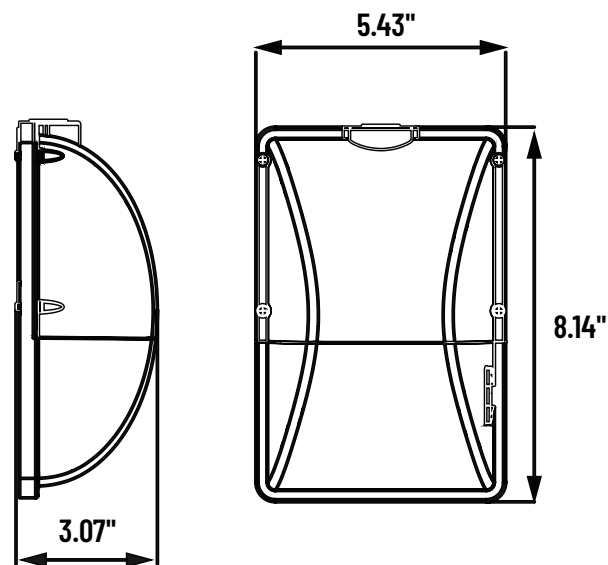
SERIES	WATTAGE	COLOR TEMP.
MWP	-WS: Selectable 30/20/10W	-3CS: Selectable 3000/4000/5000K

FEATURES

- Aluminum housing with powder coat finish
- All-in-one adjustment switch
- Polycarbonate lens
- 120-277 VAC input
- 0-10V dimming
- CRI: >70

LUMENS

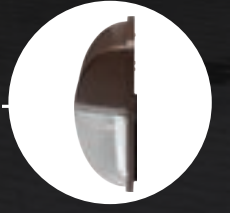
Wattage	Lumens
10W	1,200lm
20W	2,400lm
30W	3,600lm



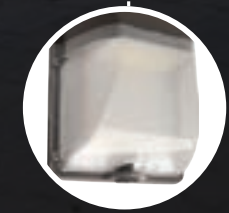
WALL PACKS & WALL MOUNT



ALL-IN-ONE ADJUSTMENT SWITCH



COMPACT DESIGN



DURABLE UV-RESISTANT LENS

APPLICATIONS

- COVERED WALKWAYS
- ENTRANCES & EXITS
- WAREHOUSES
- UTILITY AREAS

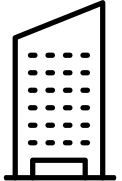


3000K 4000K 5000K

CYCLED SERIES

WALL PACK

The CYCLED series wall pack is an economical choice for commercial applications where a compact, vandal-resistant fixture is required. This unit is equipped with a photocell and is ideal for entryways and building exteriors.



APPLICATIONS

- BUILDING SURROUNDINGS
- WAREHOUSES
- STOCKROOMS



PRODUCT MATRIX

EXAMPLE: CYCLED-3CS-BZ

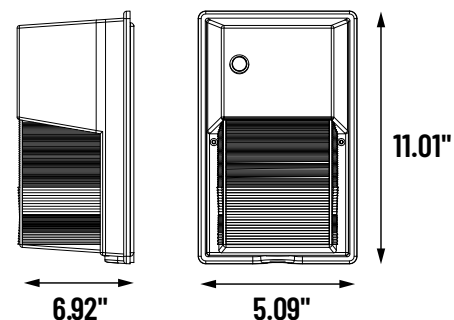
SERIES	COLOR TEMP.	FINISH
CYCLED	-3CS: Selectable 3000/4000/5000K	-BZ: Bronze

FEATURES

- Polycarbonate front housing and lens
- Stainless steel external screws
- Built-in photocell
- 120-277 VAC input
- CRI: >80
- 5-year limited warranty

LUMENS

Wattage	Lumens
20W	2,100lm

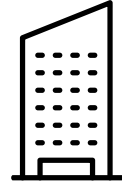


3000K 4000K 5000K

VPL SERIES

VAPORPROOF FIXTURE

The VPL series vaporproof fixture is designed with utility in mind. A rugged surface-mount vaporproof fixture combined with an aluminum housing and steel wire guard will ensure reliable service in demanding conditions. Intended for use in indoor and outdoor applications including utility areas, covered walkways, and stockrooms.



APPLICATIONS

- BUILDING SURROUNDINGS
- COVERED WALKWAYS
- STOCKROOMS
- UTILITY AREAS



PRODUCT MATRIX

EXAMPLE: VPL-WS-3CS

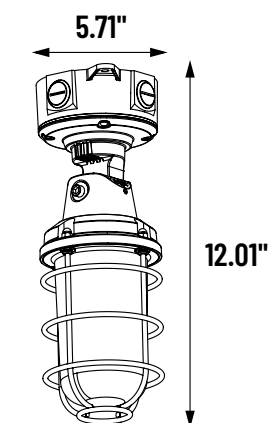
SERIES	WATTAGE	COLOR TEMP.
VPL	-WS: Selectable 30/20/15W	-3CS: Selectable 3000/4000/5000K

FEATURES

- Durable polycarbonate lens
- Impact-resistant steel wire guard
- 90° to 180° range of adjustment
- Wall mount or ceiling mount
- 120-277 VAC input
- CRI: >80
- 5-year limited warranty

LUMENS

Wattage	Lumens
15W	1,650lm
20W	2,200lm
30W	3,300lm



WALL PACKS & WALL MOUNT



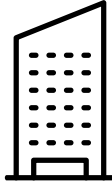
3000K 4000K 5000K

ESRD SERIES

ARCHITECTURAL EMERGENCY WALL PACK

The ESRD-BREM-3CS is an architectural LED emergency wall pack which features an integrated photocell and adjustable color temperature. This fixture includes built-in emergency capability, making it ideal for numerous applications.





APPLICATIONS

- BUILDING SURROUNDINGS
- PATHWAYS
- ENTRANCES & EXITS

PRODUCT MATRIX

EXAMPLE: ESRD-BREM-3CS

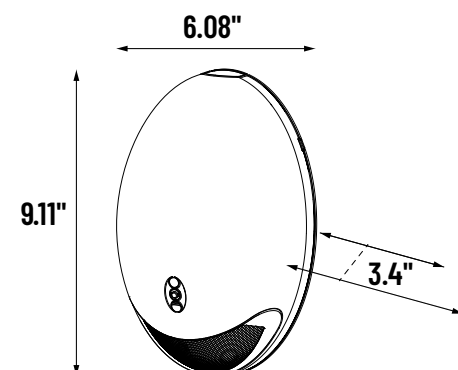
SERIES	FINISH	OPERATION	OPTIONS
ESRD	-BR: Bronze	EM: Emergency Backup	-3CS: Selectable 3000/4000/5000K

FEATURES

- Aluminum housing with powder coat finish
- Polycarbonate lens
- Integrated photocell
- 120-277 VAC input
- 0-10V dimming
- CRI: >80
- 90-minute EM backup

LUMENS

Wattage	Lumens
16W	1,250lm



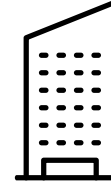
4000K

ESLWP SERIES

SLIM EMERGENCY WALL PACK

The ESLWP is a slim LED wall pack with emergency lighting. With its long lamp life and attractive modern profile, it will complement any building's decor.





APPLICATIONS

- BUILDING SURROUNDINGS
- PATHWAYS
- ENTRANCES & EXITS

PRODUCT MATRIX

EXAMPLE: ESLWP-WEM

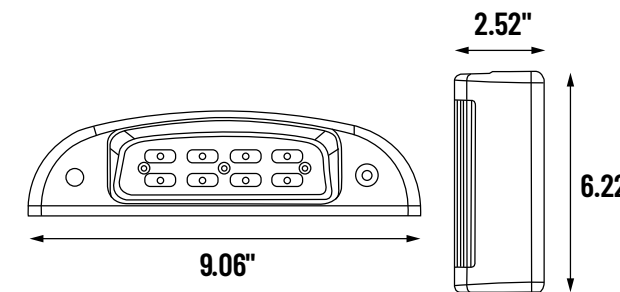
SERIES	FINISH	OPERATION
ESLWP	-W: White -BR: Bronze	EM: Emergency Backup

FEATURES

- Aluminum housing with powder coat finish
- Polycarbonate lens
- Integrated photocell
- 120-277 VAC input
- 0-10V dimming
- CRI: >70
- 90-minute EM backup

LUMENS

Wattage	Lumens
15W	1,600lm



WALL PACKS & WALL MOUNT

ARCHITECTURAL OUTDOOR



Light Quality Matters

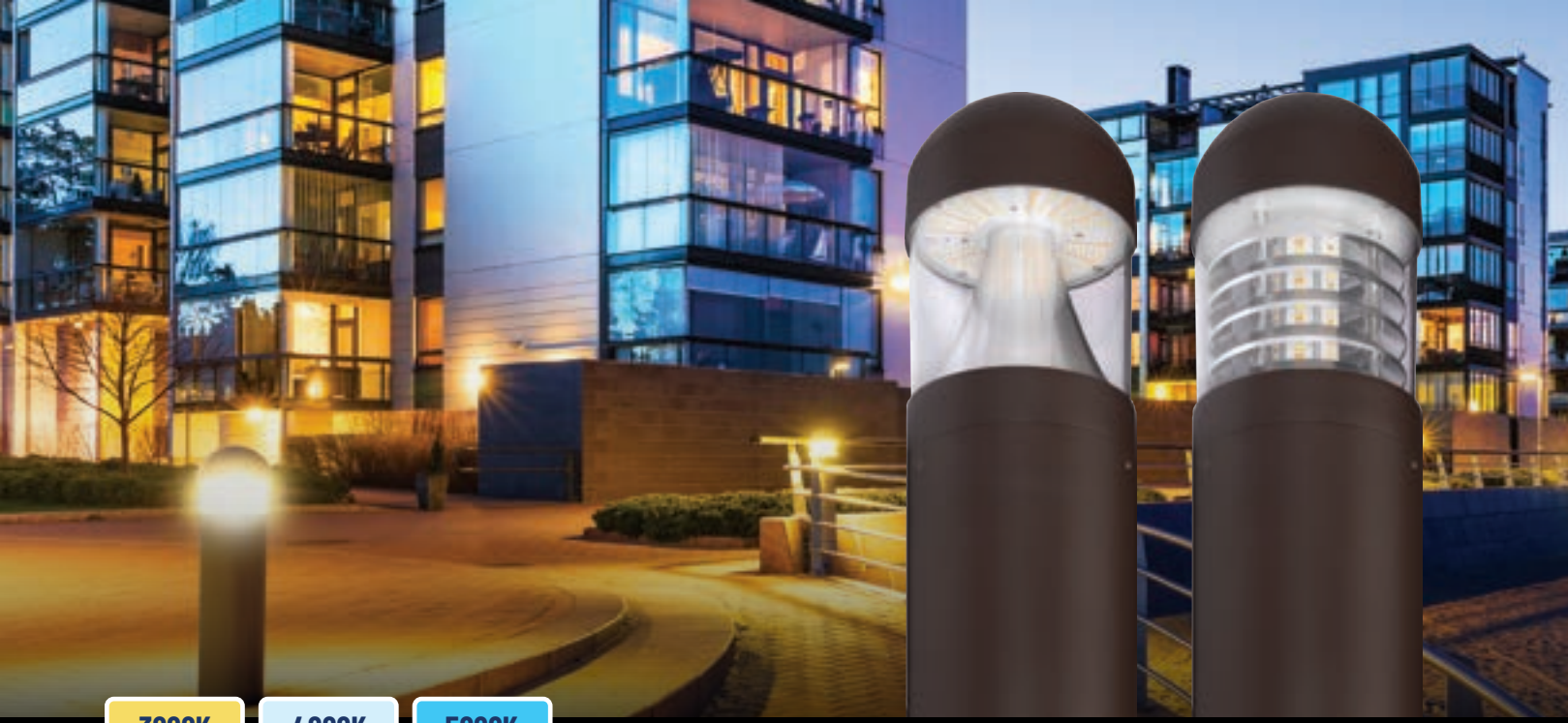
Fixtures with a higher Color Rendering Index (CRI) ensure colors appear natural and materials are accurately represented at night, which is critical for high-end architectural finishes.

Layering Light is Key

Combining uplighting, downlighting, path lighting, and grazing techniques adds depth, texture, and dimension to outdoor spaces while improving visibility and safety.

Glare Control

Shielded or directional fixtures reduce glare and light spill in urban or hospitality settings where comfort and ambiance are prioritized.



3000K 4000K 5000K

BOL SERIES

BOLLARD

This attractive bollard fixture is excellent for a wide variety of applications. The dome top is the finishing touch for this modern look, keeping debris and moisture from collecting on top. The wattage & color selectable features add to its versatility.



PRODUCT MATRIX

EXAMPLE: BOL-WS-3CS-DL-BZ

SERIES	WATTAGE	COLOR TEMP.	TOP & REFLECTOR	FINISH
BOL	-WS: Selectable 24/19/14W	-3CS: Selectable 3000/4000/5000K	-DC: Dome Top Cone Reflector -DL: Dome Top Louvered Reflector	-BZ: Bronze

*Mounting hardware included.

FEATURES

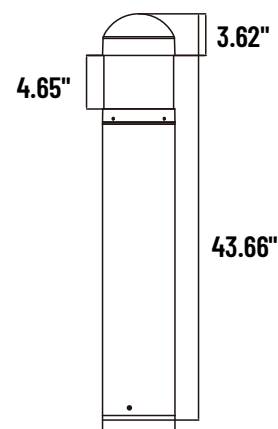
- Extruded aluminum housing
- Durable powder coat finish
- Clear polycarbonate lens
- CRI: >70
- 120-277 VAC input
- 0-10V dimming
- 5-year limited warranty

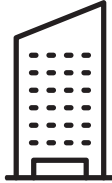
CONE REFLECTOR

Wattage	Lumens
14W	1,960lm
19W	2,660lm
24W	3,360lm

LOUVERED REFLECTOR

Wattage	Lumens
14W	1,000lm
19W	1,420lm
24W	1,800lm





APPLICATIONS

- OUTDOOR VENUES
- RESIDENTIAL ENTRANCES
- HOSPITALITY SPACES
- RETAIL EXTERIORS



2700K

TASLL SERIES

STEP LIGHT

The TASLL LED step light is designed for maintenance-free illumination of indoor or outdoor residential and commercial areas. It is ideal for applications such as lighting hallways, walkways and stairways.



PRODUCT MATRIX

EXAMPLE: TASLL3WH

SERIES	FACEPLATES	FINISH
TASLL	3: Amount Of Faceplates	SS: Stainless Steel* WH: White BK: Black BZ: Bronze


Color matching standard screws included. Fixtures are not rated for coastal areas.
*Stainless steel finish describes the color, not the material.

FEATURES

- Installs into standard single gang box
- 120-277 VAC input
- Includes frosted lens and vertical/horizontal louvered covers
- 1-year limited warranty

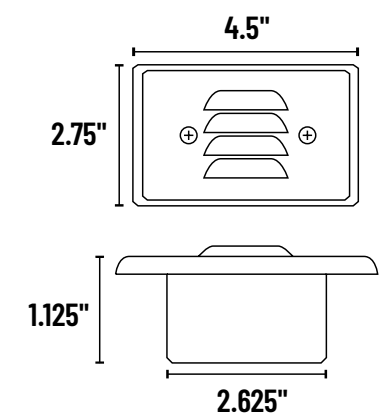
LUMENS

Wattage	Lumens
0.75W	Frosted Cover: 27lm Louvered Cover: 17lm



APPLICATIONS

- BUILDING SURROUNDINGS
- LANDSCAPING
- PATHWAYS



ARCHITECTURAL OUTDOOR

CANOPY LIGHTING



Long-Term Lighting Solution

Canopy lights offer a long-term lighting solution that combines performance, efficiency, and reliability. Designed to deliver uniform illumination, they enhance visibility and create a welcoming environment for customers and employees alike. Modern designs feature selectable wattages, color temperatures, and integrated controls, giving you the flexibility to tailor lighting to each project. Compact size, durable construction and extended lifespan minimize maintenance and replacement costs, keeping operations running smoothly. Whether upgrading an existing site or planning a new installation, canopy lights provide a cost-effective, future-ready choice that improves both safety and aesthetics.

CNPY SERIES

LED CANOPY LIGHT

The TamLite Lighting CNPY LED Canopy Light is a top choice for efficient, high-quality outdoor illumination. With its durable aluminum construction and edge lit design, this fixture is perfect for enhancing visibility in parking garages, industrial settings, and covered walkways.

3000K 4000K 5000K



PRODUCT MATRIX

EXAMPLE: CNPY-40WS-3CS-BZ

SERIES	WATTAGE	COLOR TEMP.	FINISH
CNPY	-40WS: Selectable 40/32/24W -80WS: Selectable 80/64/48W	-3CS: Selectable 3000/4000/5000K	-BZ: Bronze -WH: White

FEATURES

- Aluminum housing with powder coat finish
- Durable polycarbonate lens
- Ambient operating temp: -40°C~+40°C
- 120-347VAC input
- 0-10V dimming
- Z10 sensor receptacle for field-install controls
- CRI: >80

LUMENS

CNPY-40		CNPY-80	
Wattage	Lumens	Wattage	Lumens
24W	3,480lm	48W	6,960lm
32W	4,640lm	64W	9,280lm
40W	5,800lm	80W	11,600lm

ACCESSORIES

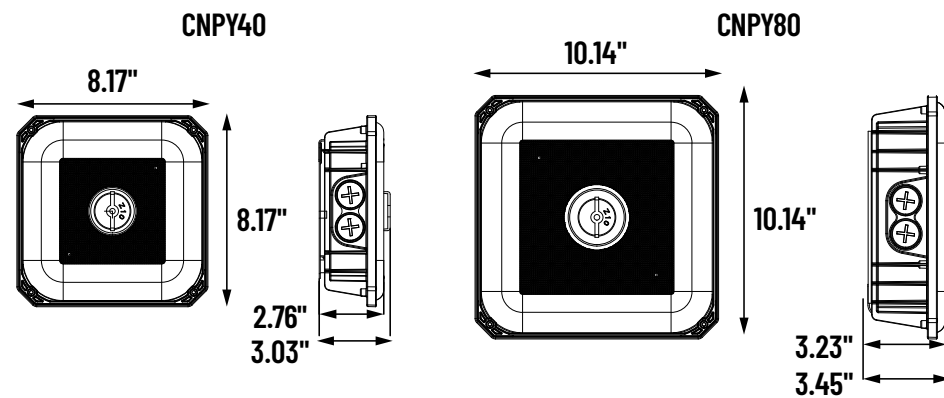
Controls



Microwave
Z10-MCR
0673-5291



Remote Control
Z10-RC
0673-5288



CANOPY LIGHTING

DURABLE
POLYCARBONATE
LENS

INTEGRATED PHOTOCELL
WITH ON/OFF SWITCH

Z10 SENSOR RECEPTACLE

WATTAGE/COLOR
SELECTABLE

APPLICATIONS

- PARKING GARAGES
- INDUSTRIAL SETTINGS
- COVERED WALKWAYS

ENCLOSED & GASKETED

Protect Against the Elements

Enclosed and gasketed light fixtures are designed to seal internal components from the surrounding environment using protective housings, gaskets, and lenses. This construction helps prevent the electronics from being exposed to dust, moisture, insects, and other contaminants, keeping the unit in operation. The Ingress Protection (IP) rating indicates how well a fixture resists solids and liquids, providing a standardized way to compare protection levels. Selecting the appropriate IP rating helps ensure reliable operation and long-term performance in the intended installation environment.

CTNLED SERIES

VAPOR-TIGHT LIGHT FIXTURE

The CTNLED series of LED fixtures are suitable for wet environments with an IP67 rating. They can be used in many locations that need a more capable or robust design.



3000K 4000K 5000K



PRODUCT MATRIX

EXAMPLE: CTNLED4-80DLCRL850

SERIES	SIZE	LUMENS	VOLTAGE	LENS	CRI	COLOR TEMP.	OPTIONS
CTNLED	2: 2'	-40: 4000 Lumens	D : 120-277 VAC E : 277-480 VAC	LCR: Clear Ribbed Lens FR: Frosted Lens	L8: CRI 80+	35: 3500K 40: 4000K 50: 5000K	BLANK: No Option OS: Washdown Occupancy Sensor EM: 10% Emergency Backup SS: Stainless Steel Clips EM-CC* : 10% Emergency Backup Cold Temp -20°C - 50°C
	4: 4'	-40: 4000 Lumens					
		-60: 6000 Lumens					
		-80: 8000 Lumens					
		-100: 10000 Lumens					
	8: 8'	-60: 6000 Lumens					
		-80: 8000 Lumens					
		-100: 10000 Lumens					
		-150: 15000 Lumens					
		-200: 20000 Lumens					
		-250: 25000 Lumens					

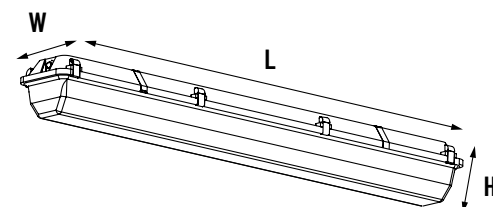
* EM-CC is -20°C – 50°C.

FEATURES

- Durable one-piece composite housing
- Acrylic ribbed high-impact lens
- Washdown rated
- Ambient operating temp: -40°C~+50°C
- CRI: >80
- 90-minute emergency backup on EM models

DIMENSIONS

SIZE	L	W	H
2FT	27.75"	6.75"	4.25"
4FT	51.875"	6.75"	4.25"
8FT	100.125"	6.75"	4.25"



ENCLOSED & GASKETED



- #### APPLICATIONS
- FOOD PROCESSING FACILITIES
 - COOLERS AND FREEZERS
 - CAR WASHES
 - PARKING GARAGES
 - STAIRWELLS

VT SERIES

VAPOR-TIGHT LINEAR FIXTURE

The VT Series Vapor-Tight Linear is suitable for environments where humidity and moisture are present. The IP65 rating ensures robust protection while the wattage and color selection provides 9 configurations in one unit. Ideal for open parking garages, stairwells, and refrigerators.



3000K 4000K 5000K



PRODUCT MATRIX

EXAMPLE: VT4-WSD-0-3CS

SERIES	SIZE	WATTAGE	VOLTAGE	LENS	COLOR TEMP.
VT	4: 4'	-WS: Selectable 45/38/28W	D: 120/277 VAC	-0: Opaque Lens	-3CS: Selectable 3000/4000/5000K

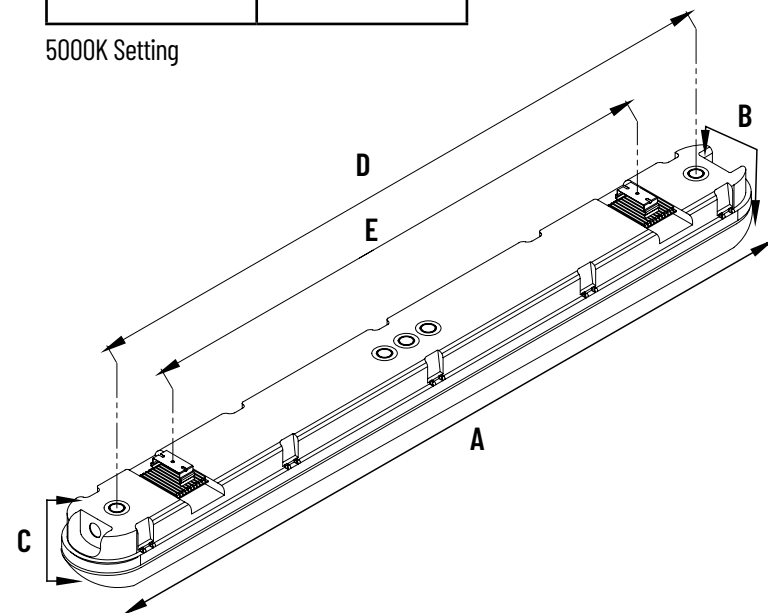
FEATURES

- Durable polycarbonate housing
- Opaque acrylic lens for optimal light diffusion
- Wet location rated
- Ambient operating temp: -30°C~+40°C
- Corrosion-resistant stainless steel clips
- CRI: >80

LUMENS

Wattage	Lumens
28W	3,500lm
38W	4,900lm
45W	5,600lm

5000K Setting

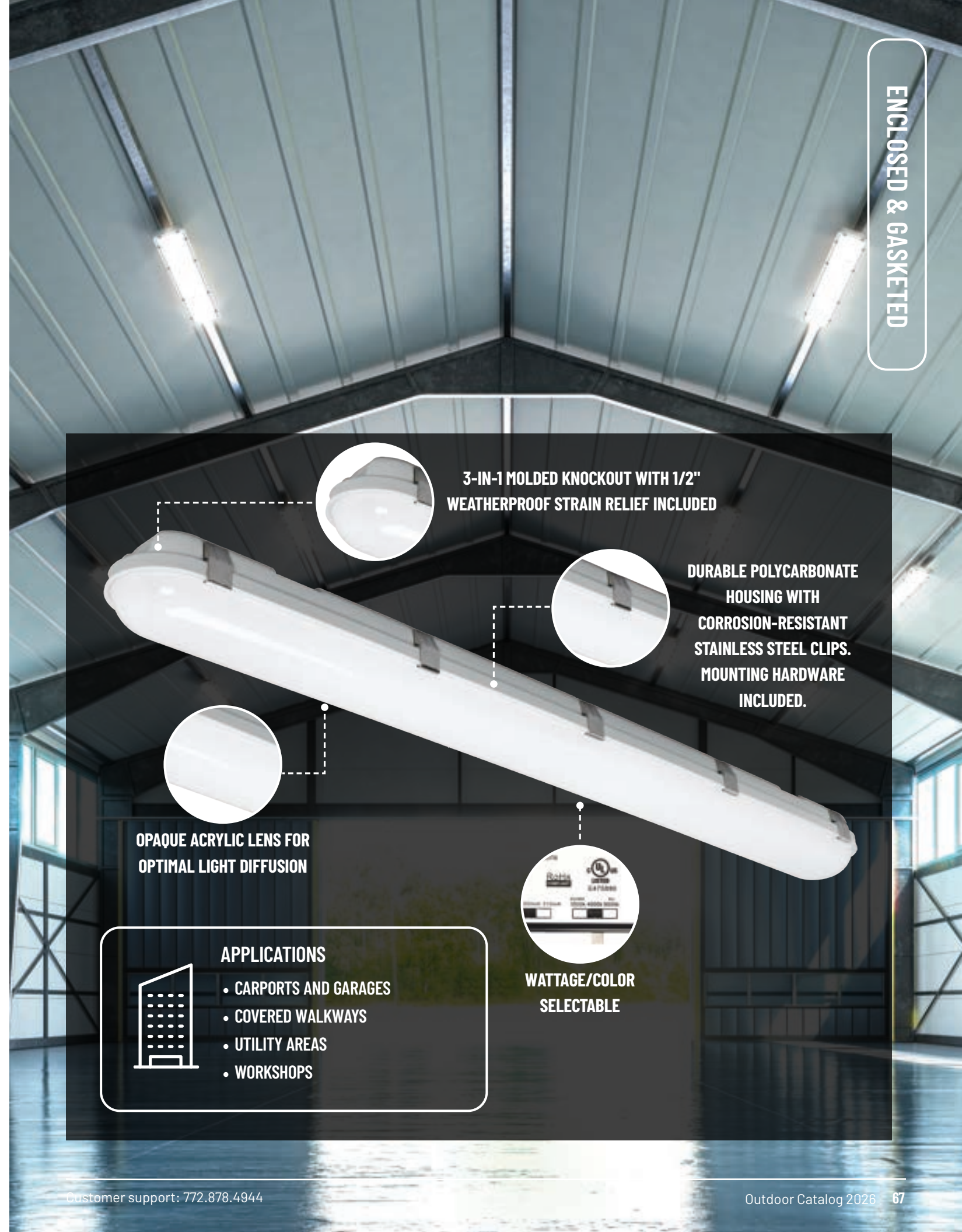


DIMENSIONS

Fixture Dimensions	
A	47.125"
B	5"
C	3.5"
Mounting Dimensions	
D	47.25"
E	33.5"

*Made with domestic and imported parts.

ENCLOSED & GASKETED



3-IN-1 MOLDED KNOCKOUT WITH 1/2" WEATHERPROOF STRAIN RELIEF INCLUDED

DURABLE POLYCARBONATE HOUSING WITH CORROSION-RESISTANT STAINLESS STEEL CLIPS. MOUNTING HARDWARE INCLUDED.

OPAQUE ACRYLIC LENS FOR OPTIMAL LIGHT DIFFUSION

WATTAGE/COLOR SELECTABLE

APPLICATIONS

- CARPORTS AND GARAGES
- COVERED WALKWAYS
- UTILITY AREAS
- WORKSHOPS

Z10 SERIES

TWIST-LOCK SENSORS

The Z10 Series twist-lock sensors allow for quick and easy installation and programming in the field. A single remote can set up an entire installation site, allowing for flexibility when planning your layout. Add energy savings to your jobsite today!



PRODUCT MATRIX

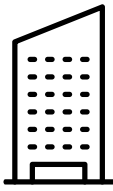
EXAMPLE: Z10-MCR

SERIES	TYPE
Z10	-MCR: Microwave -MCR-EM: For Use With Emergency Units RC: Remote Control*

*Note that Z10-RC is IP20 rated

FEATURES

- Fast and easy twist-lock installation
- Works with industry-standard Z10 receptacles
- Reliable standalone controls; no Wifi or Bluetooth
- Use with 120-277 VAC or 277-480 VAC, EM & Non-EM Z10 ready fixtures



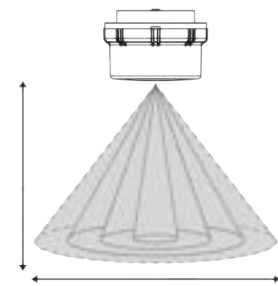
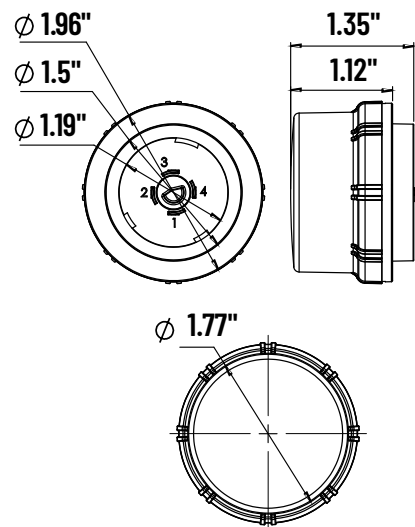
APPLICATIONS

- WAREHOUSES
- PARKING LOTS
- RETAIL SPACES
- SERVICE AREAS

COMPATIBLE FIXTURES

- LHB Series - Linear Highbays
- AL Series - Area Lights
- UFO Series - Round Highbays
- CNPY Series - Canopy Lights

Z10-MCR & Z10-MCR-EM



Height	Range Diameter (D)			
	Sensitivity 100% (ft)	Sensitivity 75% (ft)	Sensitivity 50% (ft)	Sensitivity 25% (ft)
40	50	30	5	0
30	60	50	20	0
20	40	40	30	10
10	40	40	40	20

SIMPLE AND RELIABLE STANDALONE CONTROLS



TWIST LOCK SENSOR INTO RECEPTACLE ON THE FIXTURE



INSTALLATION



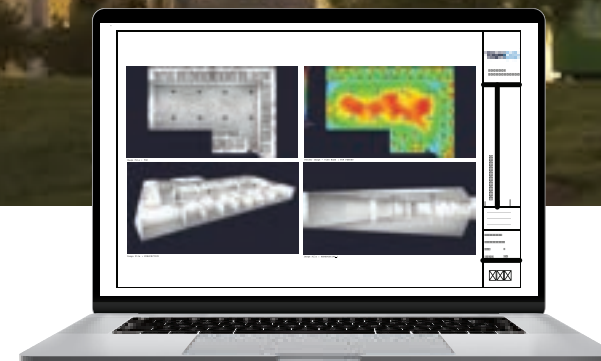
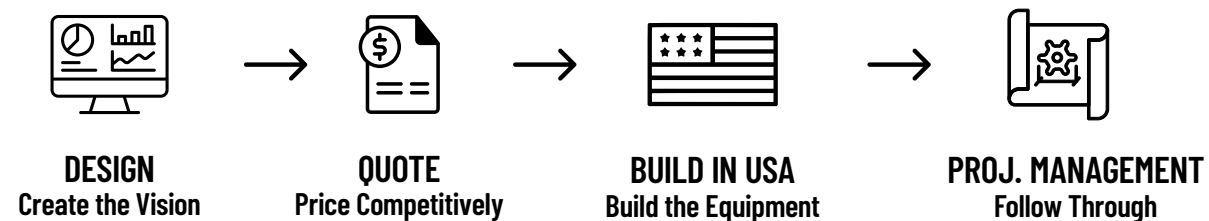
SENSORS



PROJECTS DEPARTMENT

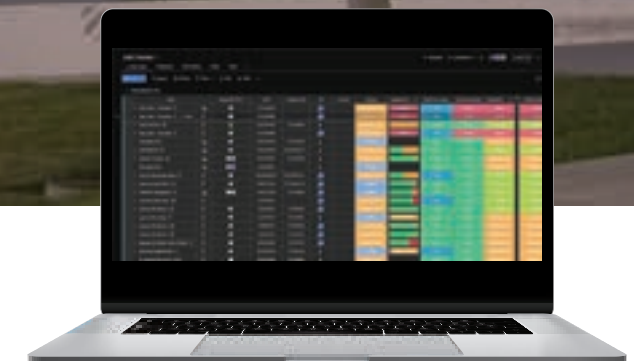
What is the Projects Department?

The lighting piece of a construction project is a lot like water: it's taken for granted most of the time, but when it goes wrong, everyone feels it. With lighting, mistakes are often the first things noticed. This is why the TAMCO Projects Department exists. We take the complexities and stress out of lighting for you. From design conception to material delivery, we've got you covered. The TAMCO Projects Department, with 100+ years of combined electrical experience, is standing by to be your one solution.



Lighting Layout

We provide accurate lighting layouts for a better 3D visual of the final result.



Job Tracking

We focus on tracking each step of the job from start to finish.

Final Result

The TAMCO Projects Department is there with you every step of the way to ensure your vision is achieved.

CONTACT OUR PROJECTS DEPARTMENT TODAY!
quotes@tamcogroup.com



TAMLITE
LIGHTING
tamliteusa.com

11675 Tom Mackie Blvd.
Port St. Lucie, FL 34987
P. 772.878.4944

Tamlite Lighting products are available
exclusively at City Electric Supply.

Printed in **USA** 

**PART NUMBER:
TAMLITE OUTDOOR CATALOG 2026**

**STOCK CODE:
0740-2878**



1 90010 32570 2